



Simplex Dissolver

General characteristics

SIMPLEX DISSOLVER is a high-speed disperser with robust construction and smooth vibration-free operation.

It is ideal for all dispersion, mixing, dissolution, and emulsification operations in solid-liquid or liquid-liquid systems, up to a viscosity of 65,000 cP.

They have an agitation shaft equipped with one or two cowles type dispersing discs, with a high shearing power and a diameter suitable for the process tank.

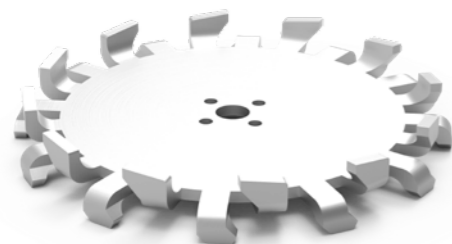
Thanks to the hydraulic lifting of the agitation head, changing the production tank is easy and quick. Additionally, the possibility of the head rotating up to 240° allows the equipment to work with two or three fixed tanks around it.

Optionally, it is possible to have a Girodisc: a system installed on the lifting column, which enables automatic positioning of the dispersion shaft at the inlet of the tanks located around it.

There are two types of tank clamping: a centering support, installed on the structure, with a belt and pressure mechanism, or two adjustable arms, with a handwheel, equipped at their ends with articulated jaws to surround the tank. Both systems can be adapted to different tank diameters, up to a maximum of 1,200 mm.

It includes a speed indicator and an electromechanical drive system for smooth and effortless continuous speed variation, adjusting to the most suitable process conditions for the product at all times

Traditionally used in the industries of paints, varnishes, inks, coatings, adhesives, resins, rubber, and the chemical industry in general.



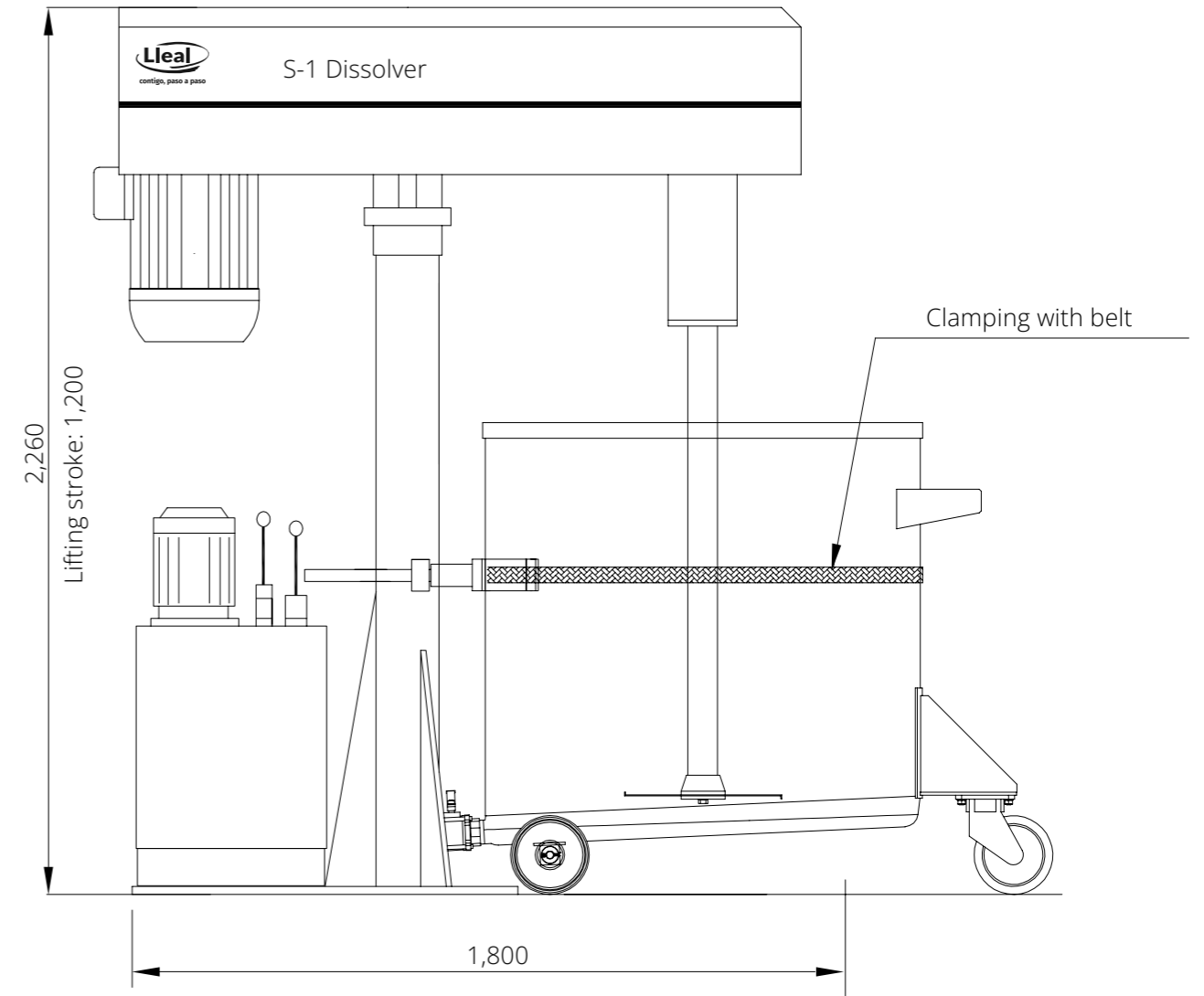
Cowles disc



S-1 Dissolver with strap fastener



S-2 Dissolver with arms and clamping jaws



Technical data

Model	Power (kW)	Stroke (mm)	Speed range (rpm)	Weight (Kg)
S0	4 - 7.5 - 11	1,000	700 - 1,800	870 - 930
S1	11 - 22	1,200	500 - 1,500	1,000 - 1,150
S2	22 - 45	1,400	500 - 1,300	1,300 - 1,500
S-3	55	1,600	500 - 1,100	3,680
S-4	75 - 110	1,800	500 - 1,100	4,520 - 4,980
S-5	135 - 200	2,500	400 - 1,100	5,590 - 5,895