

Duplex & Triplex Dissolver

general features

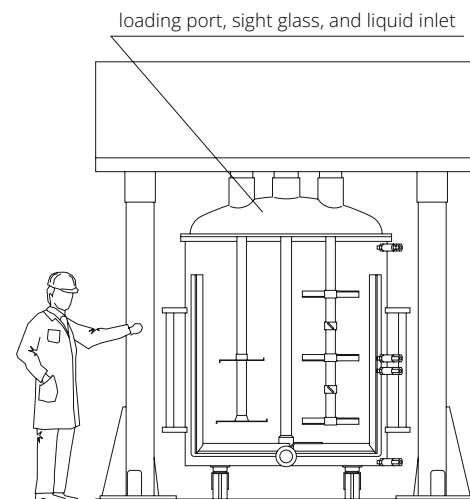
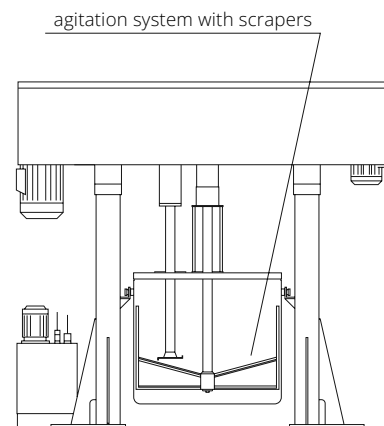


Dissolver Duplex S-2 50-20/VF. Equipment prepared to work under vacuum with a tank for discharge with a hydraulic press.



Mechanically-driven Triplex Dissolver.

The **DUPLEX** Dissolver is a unit that combines the dispersion function with a high-speed Cowles disc and mixing once with slow-speed blades. This enhances process efficiency since the blades force the product through the Cowles disc, preventing vortex formation, and thus achieving a higher degree of mixing.



The **TRIPLEX** Dissolver is equipment that combines the dispersion function of a Cowles disc with a slow-speed blade with scrapers, and with a third cross blade or marine propeller. It is used for products very similar to those used in the Duplex but achieves a faster mixing speed.

In both models, the drive can be mechanical or hydraulic, and they can be configured to work under vacuum, pressure, or with double heating or cooling chamber. According to the viscosity of the product, it may be emptied by pump or a press may be required.